

High Frequency Ceramic Solutions

2.4GHz Band Pass Filter, EIA 0603, High Rejection.

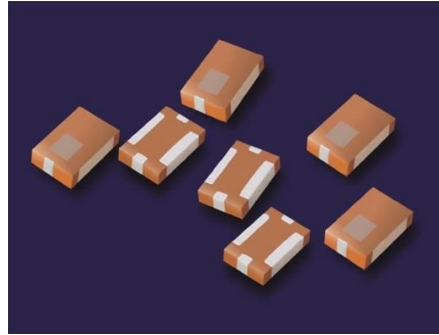
P/N 2450BP14G0100

Detail Specification: 10/19/2017

Page 1 of 3

General Specifications

Part Number	2450BP14G0100
Frequency (MHz)	2400 ~ 2500
Impedance (Ohm)	50
Insertion Loss (dB)	1.9 typ. / 2.0 max.
Return Loss	9.0 dB min.
Reel Quantity	4,000
Solder Paste	SAC 305 type is recommended
Frequency	Attenuation (dB)
824 ~ 960MHz	44 typ. / 40 min.
1710 ~ 1990MHz	45 typ. / 27 min.
2110MHz	21 typ. / 15 min.
4800 ~ 5000MHz	47 typ. / 40 min.
7200 ~ 7500MHz	34 typ. / 25 min.



Operating Temperature	-40 to +85°C
Storage Temperature	-40 to +85°C
Storage Period	18 months max.*
Power Capacity	500mW max. (CW)

*18 months in vacuum sealed bag and 1 week after opened. Please keep unused parts in vacuum sealed bags.
For more info go to www.johansontechnology.com/silverleads.

P/N Suffix	Packing Style	Bulk	Suffix = S	eg. 2450BP14G0100S
		T & R	Suffix = T	eg. 2450BP14G0100T
	Evaluation Board	2450BP14G0100-EB1SMA (2 Female SMA connectors 50Ω)		

Mechanical Specifications

	In	mm
L	0.063 ± 0.004	1.60 ± 0.10
W	0.031 ± 0.004	0.80 ± 0.10
T	0.024 ± 0.004	0.60 ± 0.10
a	0.028 ± 0.006	0.70 ± 0.15
b	0.012 ± 0.004	0.30 ± 0.10
c	0.006 ± 0.004	0.15 ± 0.10
d	0.018 ± 0.006	0.45 ± 0.15

Terminal Configuration

No.	Function	No.	Function
1	GND	3	GND
2	IN/OUT	4	IN/OUT

Want the layout file of the above? Send us a message at: www.johansontechnology.com/ask-a-question

Johanson Technology, Inc. reserves the right to make design changes without notice.
All sales are subject to Johanson Technology, Inc. terms and conditions.



www.johansontechnology.com

4001 Calle Tecate • Camarillo, CA 93012 • TEL 805.389.1166 FAX 805.389.1821

Ver. 2.3

2017 Johanson Technology, Inc. All Rights Reserved

High Frequency Ceramic Solutions

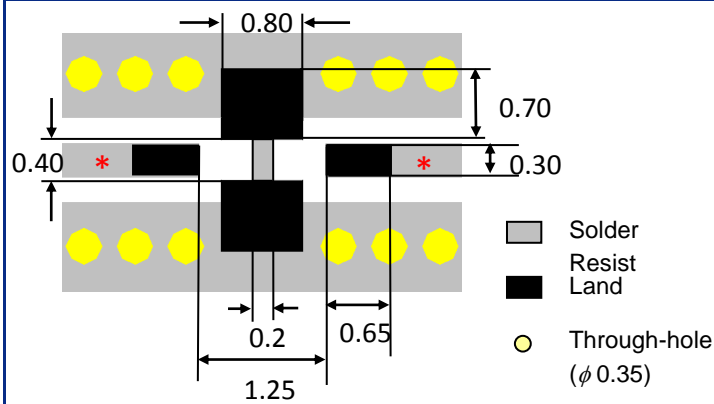
2.4GHz Band Pass Filter, EIA 0603, High Rejection.

P/N 2450BP14G0100

Detail Specification: 10/19/2017

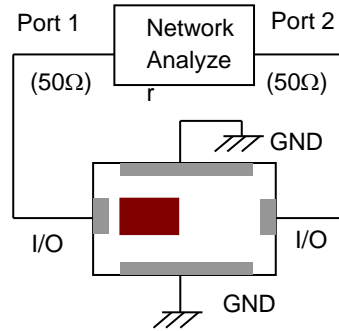
Page 2 of 3

Mounting Considerations

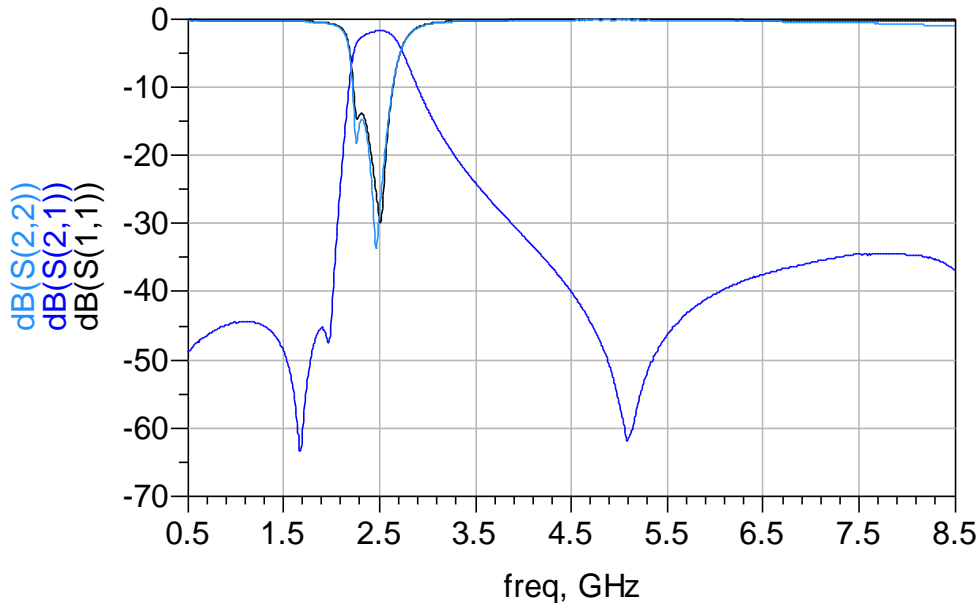


* Line width should be designed to match 50 Ω characteristic impedance, depending on PCB material and thickness.

Measuring Diagram



Electrical Characteristics (T=25°C)



Johanson Technology, Inc. reserves the right to make design changes without notice.
All sales are subject to Johanson Technology, Inc. terms and conditions.

High Frequency Ceramic Solutions

2.4GHz Band Pass Filter, EIA 0603, High Rejection.

P/N 2450BP14G0100

Detail Specification: 10/19/2017

Page 3 of 3

More BPF info such as measured s-parameters and ordering details at:

www.johansontechnology.com/band-pass-filters

Packaging information

www.johansontechnology.com/tape-reel-packaging

Soldering Information

www.johansontechnology.com/ipcsoldering-profile

MSL Info

www.johansontechnology.com/msl-rating

Recommended Storage Condition and Max Shelf Life

www.johansontechnology.com/recommended-storage-conditions

RoHS Compliance

www.johansontechnology.com/rohs-compliance

Layout review services

www.johansontechnology.com/ask-a-question

Antenna layout review, tuning, and characterization services

www.johansontechnology.com/ipc-antenna-services

Johanson Technology, Inc. reserves the right to make design changes without notice.

All sales are subject to Johanson Technology, Inc. terms and conditions.



Ver. 2.3

www.johansontechnology.com

4001 Calle Tecate • Camarillo, CA 93012 • TEL 805.389.1166 FAX 805.389.1821

2017 Johanson Technology, Inc. All Rights Reserved